

## Connection of CES-FD to Siemens ET 200pro



### Content

Interlocking device according to EN ISO 14119 .....	2
Components/modules used .....	2
EUCHNER .....	2
Other .....	2
Functional description .....	3
General .....	3
Connections .....	3
Safety assessment .....	3
Principle circuit diagram .....	4
Parameter assignment in the control system .....	5
Input 4/8 F-DI 4 F-DO .....	5
Important note – please observe carefully! .....	6

## Interlocking device according to EN ISO 14119

**Safety function** Interlocking device according to EN ISO 14119

**Reliability figures according to EN ISO 13849** Category 4, PL e

## Components/modules used

### **EUCHNER**

<b>Description</b>	<b>Order no./item designation</b>
Evaluation Unit	115534 / CES-FD-AP-M-01-USI-115534
Read Head	077790 / CES-A-LMN-SC

Tip: More information and downloads about the above mentioned EUCHNER products can be found at [www.EUCHNER.de](http://www.EUCHNER.de). Simply enter the order number into the search field.

### **Other**

<b>Description</b>	<b>Items</b>
ET 200PRO, Interface module IM154-4 PN HF	6ES7154-4AB10-0AB0
Digital Electronic module ET200PRO, 4/8 F-DI/4 F-DO DC24V/2A	6ES7148-4FC00-0AB0

## Functional description

### General

The CES-FD is part of an interlocking device in accordance with EN ISO 14119. The two safe outputs of the CES-FD are connected to a safe input of an ET 200pro.

### Connections

Designation	Function	Use in this example
F01A, F01B	Safety outputs. HIGH when the safeguarding device is closed and the actuator is in operating distance.	Switch-off of at least one of the outputs must lead to shutdown of the machine or installation via the connected control system.  Important: The actual shutdown of the energy which is causing a hazard in a machine is not shown in the example and must be supplemented.

## Safety assessment

The CES-FD features complete monitoring for faults in the safety-relevant parts and in the connected cables (clock pulses at outputs FO1A and FO1B). With the device's own pulsing, switch-off or non-connection of the clock signals from the control system's safe inputs does not lead to a reduction in the PL. Therefore, PL e in accordance with EN ISO 13849-1 can be achieved for position monitoring of a safety guard and for interlocking (preventing the operation of a machine element under certain conditions).

**Principle circuit diagram**

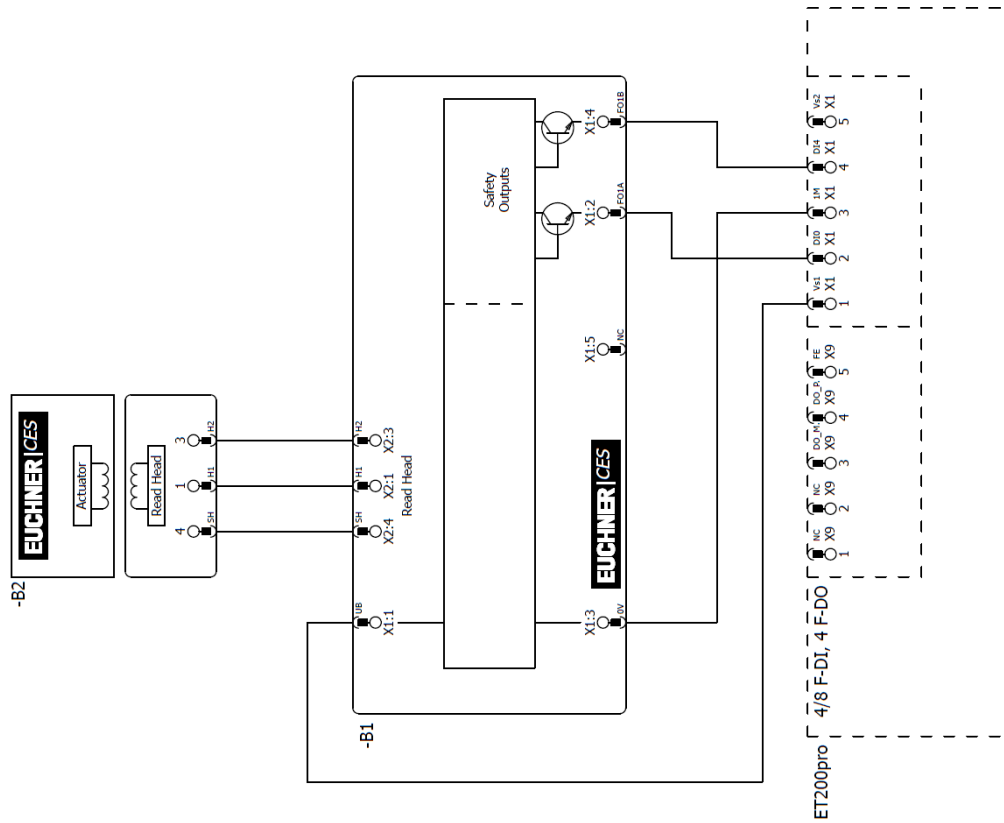


Figure 1

## Parameter assignment in the control system

### Input 4/8 F-DI 4 F-DO

This parameter assignment applies only for the following assemblies:

- 6ES7148-4FC00-0AB0

Parameter	Value
F-Parameter	Corresponding to the use in Profibus/Profinet
Behavior after channel faults	Optional
Input delay	3 (ms) or shorter
Short-circuit test	Lock
Evaluation of the sensors	1oo2 evaluation
Type of sensor interconnection	2 channel equivalent
Other parameters	Optional

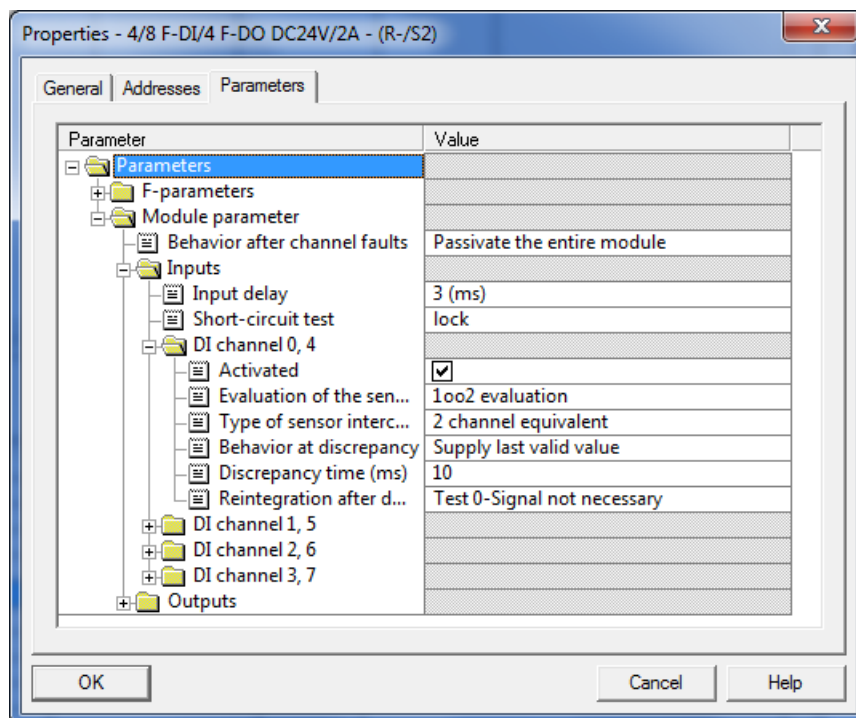


Figure 2

## **Important note – please observe carefully!**

This document is intended for a design engineer who possesses the requisite knowledge in safety engineering and knows the applicable standards, e.g. through training for qualification as a safety engineer. Only with the appropriate qualification is it possible to integrate the introduced example into a complete safety chain.

The example represents only a part of a complete safety chain and does not fulfill any safety function on its own. In order to fulfill a safety function, the energy switch-off function for the hazard location and the software within the safety evaluation must also be considered, for example.

The introduced applications are only examples for solving certain safety tasks for protecting safety guards. The examples cannot be comprehensive due to the application-dependent and individual protection goals within a machine/installation.

### **If questions pertaining to this example remain open, please contact us directly.**

In accordance with Machinery Directive 2006/42/EC, the design engineer of a machine or installation is obligated to perform a risk assessment and take measures to reduce the risk. When doing this, the engineer must comply with the applicable national and international standards. Standards generally represent the current state of the art. Therefore, the design engineer should continuously inform himself about changes in the standards and adapt his considerations to them. Relevant standards include EN ISO 13849 and EN 62061. This application must be regarded only as assistance for the considerations about safety measures.

The design engineer of a machine/installation is obligated to assess the safety technology himself. The examples must not be used for assessment, because only a small excerpt of a complete safety function was considered in terms of safety engineering here.

In order to be able to use the safety switch applications correctly on safety guards, it is indispensable to observe the standards EN ISO 13849-1, EN ISO 14119 and all relevant C-standards for the respective machine type. Under no circumstances does this document replace the engineer's own risk assessment, and it cannot serve as the basis for a fault assessment.

Particularly in case of a fault exclusion, it must be noted that this can be performed only by the design engineer of a machine or installation and requires a reason. A general fault exclusion is not possible. More information about fault exclusion can be found in EN ISO 13849-2.

Changes at products or within assemblies from third-party suppliers used in this example can lead to the function no longer being ensured or the safety assessment having to be adapted. In any event, the information in the operating instructions on the part of EUCHNER, as well as on the part of third-party suppliers, must be taken as the basis before this application is integrated into an overall safety function. If contradictions should arise between the operating instructions and this document, please contact us directly.

### **Use of brand and company names**

All mentioned brand and company names are property of the respective manufacturers. The use is only for clear identification of compatible peripheral devices and environment of operation in combination with our products.